

SENTRA MEDICAL LTD

# THE WIDEST CHOICE OF SAFETY NEEDLE AND SAFETY SYRINGE SOLUTIONS

PERFORMANCE  SAFETY



# INTRODUCTION

Sentra Medical has formed an exclusive partnership with one of the World's leading syringe manufacturers, for the supply and distribution of the most comprehensive range of standard and safety hypodermic syringes on the market with a whole range of benefits:

## Safety Syringes

Our complete range of safety syringes include Safety Hypodermic Syringes (1ml - 20ml), Safety Syringe for Nuclear Medicine and Safety Insulin Syringe. All of these products have a number of unique and innovative features:

- ⊕ Patented NO-GAP Technology**  
Allows the user to expel the air in the syringe prior to use without accidentally pre-activating the safety mechanism
- ⊕ Innovative and Patented Integrated Safety Feature**  
After use the needle is manually retracted back into the barrel and locked into place to prevent needlestick injury
- ⊕ Patented Locking Ring**  
Ensures that once the safety mechanism is locked into place, it remains permanently locked in
- ⊕ Pre-attached Needle or No Needle**  
Your choice to fit your needs
- ⊕ Compatibility**  
Our safety syringes are compatible for use with all standard hypodermic needles on the market
- ⊕ Luer Lock**  
Provides added ability to exchange needles or to use any needle free access devices
- ⊕ CE Marked & FDA Approved**  
To ensure high quality and reliability

## Safety Needles

Our complete range of safety needles includes Hypodermic Needles with Safety Clip (18G to 30G), Blunt Fill Needles, Blunt Fill Filter Needles and EZ Wing Plastic Cannulas. Our Safety hypodermic needles have a number of unique features:

- ⊕ Patented Locking Mechanism**  
Ensures needle securely and completely locked inside the guard
- ⊕ Favourable position of guard**  
Provides optimum visualization of injection site
- ⊕ Bevel-up orientation of needle**  
Allows for low-angle injections and ensures splatter is contained inside safety guard
- ⊕ Compatibility**  
Our safety needles are compatible with all standard hypodermic syringes on the market
- ⊕ CE Marked & FDA Approved**  
To ensure high quality and reliability

# KNOW SAFETY.....NO INJURY....!



# SOL-CARE™ SAFETY SYRINGE



NO GAP

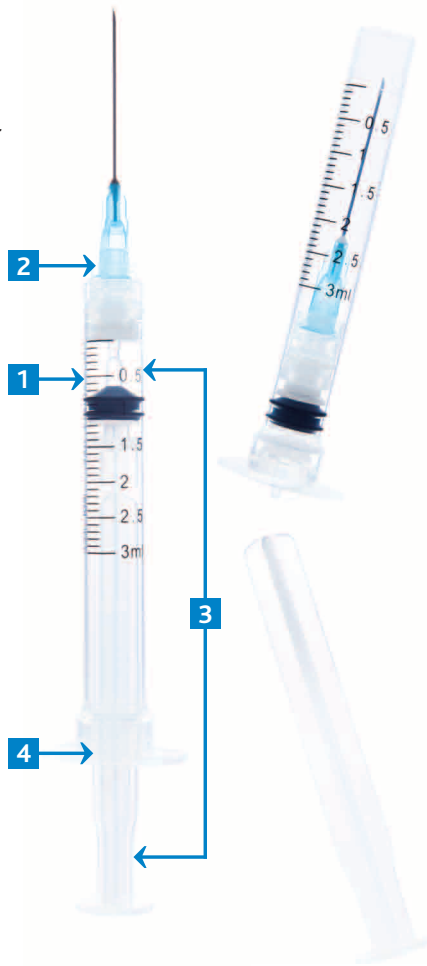
## LUER LOCK SAFETY SYRINGE

with Exchangeable Needle / No Needle Attached

The SOL-CARE™ Safety Syringe is available with a needle attached or without. This offers the clinician the ability to switch out the needle after draw-up of medication or add 'any' standard hypodermic needle or SOL-M™ Blunt Fill needle for draw-up of medication or re-constitution of medication.

### FEATURES & BENEFITS

- 1** All Sol-Care safety syringes are now enhanced with our patented **NO GAP DESIGN** allowing clinicians to push plunger to zero line when injecting into a vial
  - 2** Exchangeable needles allow clinician to change needle after draw-up of medication
  - 3** Special designed plunger with fit tip reduces dead space in syringe
  - 4** Patent Pending Locking Ring secures the needle in the barrel of the syringe
- + Syringe cannot be reused once activated
  - + Compatible with all standard hypodermic needles
  - + Easy to use
  - + Fingers remain behind the needle during activation of safety mechanism
  - + Clear, bold, easy to read graduations
  - + Visual and audible confirmation of safety activation
  - + Potential reduction in sharps disposal costs
  - + Ultra sharp needle minimizes injection pain

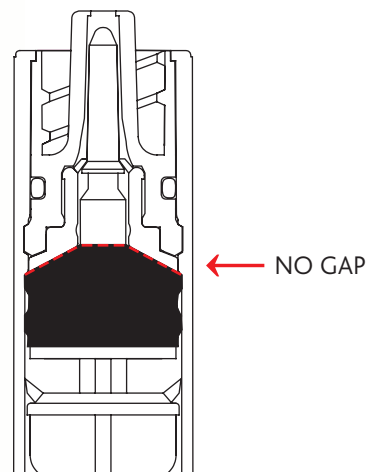


### LUER LOCK SAFETY SYRINGE NO NEEDLE ATTACHED

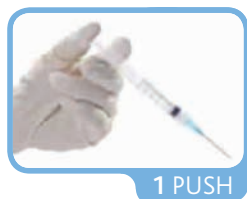
SIZE	REFERENCE
3ml	120006IM
5ml	120007IM
10ml	120008IM
20ml	120009IM

Also available with other needle sizes.

All Sol-Care™ Safety Syringes are now enhanced with our patented **NO GAP** design allowing clinicians to push plunger to zero line when injecting into vial.



### ONLY THREE STEPS TO ACHIEVE SAFETY:





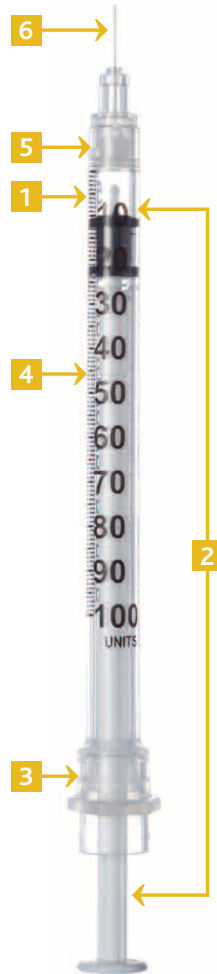
## INSULIN SAFETY SYRINGE

with Fixed Needle

Sol-Millennium offers innovative products that bring comfort and convenience for diabetes drug therapy. SOL-CARE™ Insulin Safety Syringes have low Dead Space on both our 100 units and 50 units syringes.

### FEATURES & BENEFITS

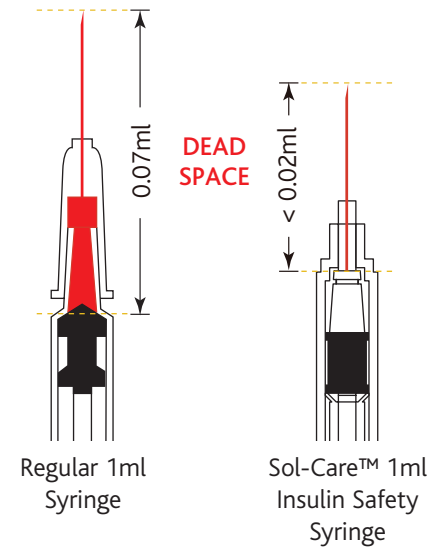
- 1** All Sol-Care safety syringes are now enhanced with our patented **NO GAP DESIGN** allowing clinicians to push plunger to zero line when injecting into a vial
  - 2** Special designed plunger with fit tip reduces dead space in syringe
  - 3** Patent Pending Locking Ring secures the needle in the barrel of the syringe
  - 4** Clear, bold, easy to read graduations
  - 5** Permanently attached needle
  - 6** Ultra sharp needle minimizes injection pain
- ⊕ Syringe cannot be reused once activated
  - ⊕ Easy to use
  - ⊕ Fingers remain behind the needle during activation of safety mechanism
  - ⊕ Visual and audible confirmation of safety activation
  - ⊕ Potential reduction in sharps disposal costs



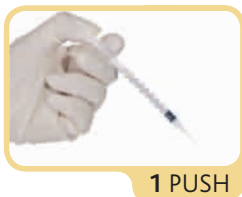
### INSULIN SAFETY SYRINGE WITH FIXED NEEDLE

SIZE	REFERENCE	NEEDLE
0.5ml	100002IM	29G x 1/2"
0.5ml	100089IM	30G x 5/16"
1ml	100071IM	28G x 1/2"
1ml	100017IM	29G x 1/2"
1ml	10008IM	30G x 1/2"

Compared to regular 1ml syringe, SOL-CARE™ saves up to 0.05 ml of insulin for each injection.



### ONLY THREE STEPS TO ACHIEVE SAFETY:





# SOL-M™ NEEDLE & CANNULA

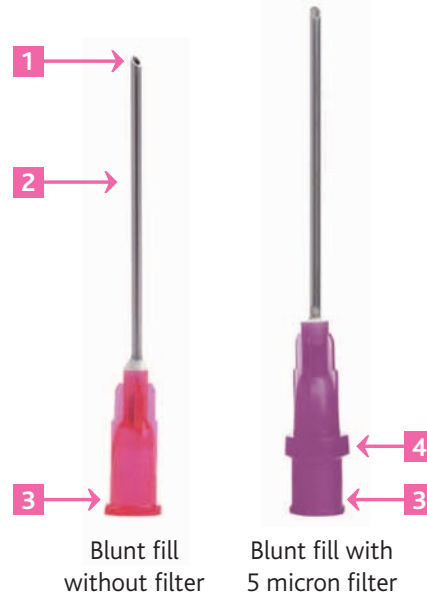
## BLUNT FILL NEEDLE

a reliable solution for medication preparation

SOL-M™ Blunt Fill Needles are used for draw-up of medication, re-constitution of medication and accessing IV Bags. SOL-M™ Blunt Fill Needle is also available with 5 Micron Filter for effective filtration of glass, metal, rubber and other contaminant particles.

### FEATURES & BENEFITS

- 1** 45° bevel reduces needlestick injuries
- 2** 18 gauge - easy to draw and mix viscous medications
- 3** Standard Luer Hub fits onto all sizes of standard syringes
- 4** 5 micron filter for effective filtration of contaminant particles
- +** Red hub and cap for quick identification as fill needle
- +** Low penetration force for ease of use



### BLUNT FILL NEEDLE WITH 5 MICRON FILTER

REFERENCE	NEEDLE
110022F	18G x 1 1/2"

### BLUNT FILL NEEDLE WITHOUT FILTER

REFERENCE	NEEDLE
110022	18G x 1 1/2"

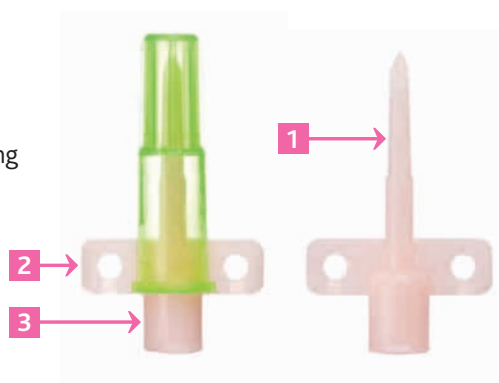
## EZ WING PLASTIC CANNULA

enhances medication preparation and delivery

SOL-M™ EZ Wing Plastic Cannula is designed to enhance the medication preparation and delivery process and is used for medication draw-up and re-constitution of medications. Sol-M™ EZ Wing Plastic Cannula addresses a wide range of medication preparation needs. The Sol-M™ EZ Wing Plastic Cannula provides a substitute for a conventional needle reducing the risk of needlestick injuries.

### FEATURES & BENEFITS

- 1** Large bore cannula for ease in draw-up of medications
- 2** Integrated wings for easier attaching and detaching from syringe
- 3** Standard hub to fit standard luer lock syringes
- +** Lower cost than sharps engineered devices



### EZ WING PLASTIC CANNULA

REFERENCE
130501



**Sentra Medical Ltd.**

Caldoni House,  
3 Crondal Road,  
Bayton Road Industrial Estate,  
Coventry, CV7 9NH

Tel: +(0) 844 736 5799

Fax: +(0) 844 736 5799

Email: [info@sentramedical.co.uk](mailto:info@sentramedical.co.uk)

Web: [www.sentramedical.co.uk](http://www.sentramedical.co.uk)

Disclaimer: This product catalogue is not intended to serve as instructions for use.

